

Flow Measurement

SITRANS F VA

SITRANS FVA250 variable area meter

Overview



SITRANS FVA250 variable area meter

Benefits

- Standard design available at short notice
- Robust all-metal fitting with impact-resistant housing cover
- Can also be used for corrosive and flammable media
- Use possible at high pressures and temperatures
- Product and percentage scales
- Can be optionally fitted with heating and cooling sheaths
- Contamination-insensitive guiding of float

Application

The devices are particularly suitable for measuring:

- Water
- Liquids
- Anti-corrosives and lubricants
- Solvents
- Saturated and superheated steam
- Food and beverages
- Industrial gases

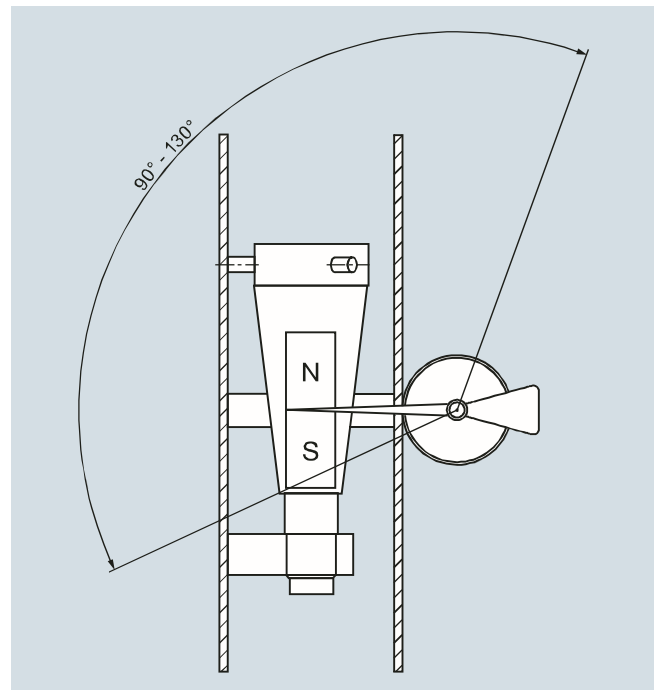
Design

Due to its full metal design, the SITRANS FVA250 variable area meter with a standard length of 250 mm (9.84 inch) can be used to measure many different types of liquids and gases passing through closed piping. The robust design means that it can also be used in harsh conditions. The various types of flange connections, linings and float materials satisfy the requirements of the pharmaceutical and chemical industries.

The measured value is displayed directly on the scale with the standard version. For process monitoring and control, the device can be equipped with a transmitter (MEM) as well as limit switches.

Function

Flow measurement with the SITRANS FVA250 is performed according to the float principle. The flowing medium lifts the conical float in the measuring ring. This increases the ring gap until an equilibrium is established between the buoyant force of the medium and the weight of the float. The height of the float is directly proportional to the flow rate. The movement of the float is transmitted from one magnet to another magnet in the display unit outside of the measuring tube.



Measuring cone/scale angle

Flow Measurement

SITRANS F VA

SITRANS FVA250 variable area meter

Technical specifications

Application	See page 3/401
Design and function	See page 3/401
Measuring principle	Variable area flowmeter
Input	
Measuring range	See table on page 3/403
Pressure rating	PN 16 ... PN 100 (232 ... 1450 psi) depending on version (see table on page 3/403)
Installation/flow direction	Vertical/from bottom to top
Rated operating conditions	
Ambient temperature	
• With local display	-40 ... +80 °C (-40 ... +176 °F)
• With limit switches	-40 ... +65 °C (-40 ... +149 °F)
• With electric remote encoder (MEM)	-40 ... +70 °C (-40 ... +156 °F)
Measuring accuracy	
• For liquids	± 1.6%
• For gases	± 2.0%
Reproducibility	0,5 % of the measuring range limit (URV)
Operating temperature	see page 3/403
Operating pressure	Min. operating pressure > 2x pressure drop (see table on page 3/403)
Design	
Flanges	EN 1092-1, ANSI B16.5
Material	
• Fitting	Stainless steel 1.4404/316L
• Float	Stainless steel 1.4404/316L, Hastelloy, PTFE
• Wetted parts materials	Stainless steel 1.4404/316L, PTFE, Hastelloy, depending on version
Degree of protection (display unit)	
• Display unit made of aluminum	IP65
• Display unit made of stainless steel	IP66
Electromagnetic immunity	
• EN 61000-6-2: 1999	Interference immunity industrial sector
• EN 50081-1	Emitted interference residential sector
• EN 55011: 1998 + A1: 1999	Group 1, Class B
• NAMUR recommendation	NE 21

Classification according to pressure equipment directive (DGRL 97/23/EG)

	Article No. 7ME5822- 7ME5823-	Permissible media	Category
DN 15	xAxxx-xxxx	Gases of fluid group 1 and liquids of fluid group 1	Article 3.3
DN 20	xFxxx-xxxx		Article 3.3
DN 25	xBxxx-xxxx		Article 3.3
DN 32	xGxxx-xxxx		III
DN 40	xHxxx-xxxx		III
DN 50	xCxxx-xxxx		III
DN 65	xJxxx-xxxx		III
DN 80	xDxxx-xxxx		III
DN 100	xExxx-xxxx		III

Technical specifications of contacts

Limit switch	
Cable gland	M20x1,5
Auxiliary power supply	5 ... 25 V DC
Isolation (2 contacts)	Electrically isolated
Limit switch	SJ3.5-N-BU
• Switching function	NAMUR NC
Nominal voltage U_0	8,2 V DC (R_i approx. 1 k Ω)
Explosion protection	II 2G EEx ia IIC T6 - T4
EC-Type Examination Certificate for Directive 94/9/EG	PTB 99 ATEX 2219 X
Transmitter (MEM) with 4 ... 20 mA, pulse output and limit switch	
Cable gland	M20x1,5
Auxiliary power supply	14 ... 30 V DC
Analog output	4 ... 20 mA (2-wire technology)
Binary output	Pulses, limit switch
• Pulses	Max. pulse rate 10 Hz
• Limit switch	SJ3.5-N-BU (NAMUR, NC)
Temperature influence	$\leq \pm 0,5$ % of the measuring range limit (URV)/10 K
Explosion protection	ATEX II 2G EEx ia IIC T6
EC-Type Examination Certificate for Directive 94/9/EG	DMT 00 ATEX E 075
Transmitter (MEM) PROFIBUS PA	
Cable gland	M20x1,5
Auxiliary power supply	10 ... 25 V DC
Basic current	< 16,5 mA
Fault current	< 18 mA
Transfer rate	31,25 kBaud
Temperature influence	$\leq \pm 0,5$ % of the measuring range limit (URV)/10 K
Explosion protection	ATEX II 2G EEx ia IIC T6
EC-Type Examination Certificate for Directive 94/9/EG	DMT 00 ATEX E 075

Float damping

Float damping is recommended

- Generally for gas measurement
- When air bubbles in the medium cannot be avoided.
- When there are pressure surges in the lines caused by a delay in the flow, for example, due to rapid throttling or blocking
- When turbulence, pulsations or other instabilities cause the float to vibrate.
- When the flow pressure cannot be built up slowly
- When vibrations in the line cannot be avoided

Technical specifications (continued)

Permitted measuring ranges

Version	CF-S	EF-H	FF-P ¹⁾
Wetted parts materials	Mat. no. 1.4404/316L	Hastelloy C	PTFE
Fitting	Mat. no. 1.4404/316L	≤ DN 25 (1"): Hastelloy > DN 25 (1"): Hastelloy/stainless steel 1.4404/316L	Mat. no. 1.4404/316L with PTFE lining
Flange	Mat. no. 1.4404/316L	≤ DN 25 (1"): Hastelloy > DN 25 (1"): Hastelloy/Edelstahl 1.4404/316L	Mat. no. 1.4404/316L
Float/flow tube	Mat. no. 1.4404/316L	Hastelloy	PTFE
Max. media temperature	-20 ... +200 °C (-4 ... +392 °F) (optional -80 ... +300 °C (-112 ... +572 °F))		-20 ... +125 °C (-4 ... +257 °F)
Nominal pressure	DN15 ... 80 (½ ... 3"): PN 40 (580 psi) DN100 (4"): PN 16 (232 psi) optional to 400 bar (5800 psi)	DN15 ... 80 (½ ... 3"): PN 40 (580 psi) DN100 (4"): PN 16 (232 psi) optional to 400 bar (5800 psi)	PN 16 (232 psi)

Reference data for measuring range specifications Fluid in l/h with density: 1.0 kg/l, temperature 20 °C (68 °F), viscosity: 1 mPa·s
Gas in m³/h with density: 1.293 kg/m³, temperature 0 °C (32 °F), viscosity: 0.0181 mPa·s, p_e = 0 bar (0 psi)

Order code	Pressure loss [mbar]							Measuring ranges (dynamic 1:10)			
	Flow tube							Liquids		Gases	
	1	2	3	4	5	6	7	[l/h]	[USgpm]	[m ³ /h]	[scfm]
10	40 ¹⁾	40 ²⁾	-	-	-	-	-	0.5 ... 5	0.0022 ... 0.022	0.015 ... 0.15	0.0088 ... 0.088
11	44 ¹⁾	44 ²⁾	-	-	-	-	-	0 ... 10	0.0044 ... 0.044	0.03 ... 0.3	0.0177 ... 0.177
12	40 ¹⁾	40 ²⁾	-	-	-	-	-	1.6 ... 16	0.007 ... 0.07	0.045 ... 0.48	0.0265 ... 0.283
13	40 ¹⁾	40 ²⁾	-	-	-	-	-	2.5 ... 25	0.011 ... 0.11	0.075 ... 0.75	0.0441 ... 0.441
14	40 ¹⁾	40 ²⁾	-	-	-	-	-	4 ... 40	0.018 ... 0.18	0.13 ... 1.3	0.0765 ... 0.765
15	-	40 ²⁾	-	-	-	-	-	5 ... 50	0.022 ... 0.22	0.15 ... 1.5	0.0883 ... 0.883
16	-	40 ²⁾	-	-	-	-	-	7 ... 70	0.031 ... 0.31	0.2 ... 2.1	0.12 ... 1.24
17	-	60	60 ³⁾	-	-	-	-	10 ... 100	0.044 ... 0.44	0.3 ... 3	0.177 ... 1.77
20	-	60	60 ³⁾	-	-	-	-	16 ... 160	0.07 ... 0.7	0.5 ... 4.6	0.29 ... 2.71
21	-	60	60 ³⁾	-	-	-	-	25 ... 250	0.11 ... 1.1	0.7 ... 7	0.412 ... 4.12
22	-	70	70 ³⁾	-	-	-	-	40 ... 400	0.176 ... 1.76	1.0 ... 11	0.589 ... 6.47
23	-	80	80 ³⁾	-	-	-	-	60 ... 600	0.264 ... 2.64	1.7 ... 17	1 ... 10
24	-	-	60	-	-	-	-	100 ... 1 000	0.44 ... 4.4	2 ... 30	1.77 ... 17.66
25	-	-	70	-	-	-	-	160 ... 1 600	0.7 ... 7	3 ... 46	2.35 ... 27.07
26	-	-	100	50	-	-	-	250 ... 2 500	1.1 ... 11	6 ... 70	4.12 ... 41.2
27	-	-	240 ²⁾	120	80	-	-	400 ... 4 000	1.76 ... 17.6	10 ... 110	6.47 ... 64.74
30	-	-	-	180 ²⁾	90	-	-	600 ... 6 000	2.64 ... 26.4	16 ... 170	10 ... 100
31	-	-	-	-	110	-	-	1 000 ... 10 000	4.4 ... 44	28 ... 290	17.1 ... 170.7
32	-	-	-	-	230	70	-	1 600 ... 16 000	7 ... 70	45 ... 460	27.1 ... 270.7
33	-	-	-	-	230	70 ²⁾	-	2 000 ... 20 000	8.8 ... 88	55 ... 550	32.4 ... 323.7
34	-	-	-	-	500 ²⁾	100	-	2 500 ... 25 000	11 ... 110	69 ... 700	41.2 ... 412
35	-	-	-	-	-	350 ²⁾	120	4 000 ... 40 000	17.6 ... 176	109 ... 1 100	64.7 ... 647.4
36	-	-	-	-	-	350 ²⁾	120 ²⁾	5 000 ... 50 000	22 ... 220	134 ... 1 350	79.5 ... 794.6
37	-	-	-	-	-	-	360 ²⁾	6 000 ... 60 000	26.4 ... 264	169 ... 1 700	100 ... 1 000
40	-	-	-	-	-	-	600 ²⁾	8 000 ... 80 000	35.2 ... 352	239 ... 2 400	141.3 ... 1 413
41	-	-	-	-	-	-	600 ²⁾	10 000 ... 100 000	44 ... 440	299 ... 3 000	176.6 ... 1 766

- Not available

1) Not available for EF-H and FF-P.

2) Not available for FF-P.

3) Not available for CF-S and EF-H.

Note: Female thread connection (DIN ISO 228, NPT ANSI B 1.20.1) not available for FF-P.

Flow Measurement

SITRANS F VA

SITRANS FVA250 variable area meter

Permitted nominal diameters

Order Code	Flange		Measurement cone						
	EN 1092-1	ANSI B16.5	1	2	3	4	5	6	7
A	DN 15	½"	• ¹⁾	•	• ²⁾	–	–	–	–
B	DN 20	¾"	• ¹⁾	• ²⁾	• ²⁾	–	–	–	–
C	DN 25	1"	• ¹⁾	• ²⁾	•	• ²⁾	–	–	–
D	DN 32	1¼"	• ¹⁾	• ²⁾	• ²⁾	• ²⁾	–	–	–
E	DN 40	1½"	• ¹⁾	• ²⁾	• ²⁾	•	–	–	–
F	DN 50	2"	• ¹⁾	• ²⁾	• ²⁾	• ²⁾	•	–	–
G	DN 65	2½"	–	–	•	•	• ²⁾	–	–
H	DN 80	3"	–	–	–	•	• ²⁾	•	–
J	DN 100	4"	–	–	–	–	• ²⁾	• ²⁾	•

Order Code	Female thread		Measurement cone						
	DIN ISO 228	NPT ANSI B 1.20.1	1	2	3	4	5	6	7
Q	G ¼"	¼" NPT	•	•	–	–	–	–	–
R	G 3/8"	3/8" NPT	•	•	–	–	–	–	–
S	G ½"	½" NPT	•	•	•	•	–	–	–
T	G ¾"	¾" NPT	•	•	•	•	–	–	–
U	G 1"	1" NPT	•	•	•	•	•	–	–
V	G 1¼"	1¼" NPT	•	•	–	•	•	–	–
W	G 1½"	1½" NPT	–	–	–	•	•	–	–
X	G 2"	2" NPT	–	–	–	–	•	–	–

• Available

– Not available

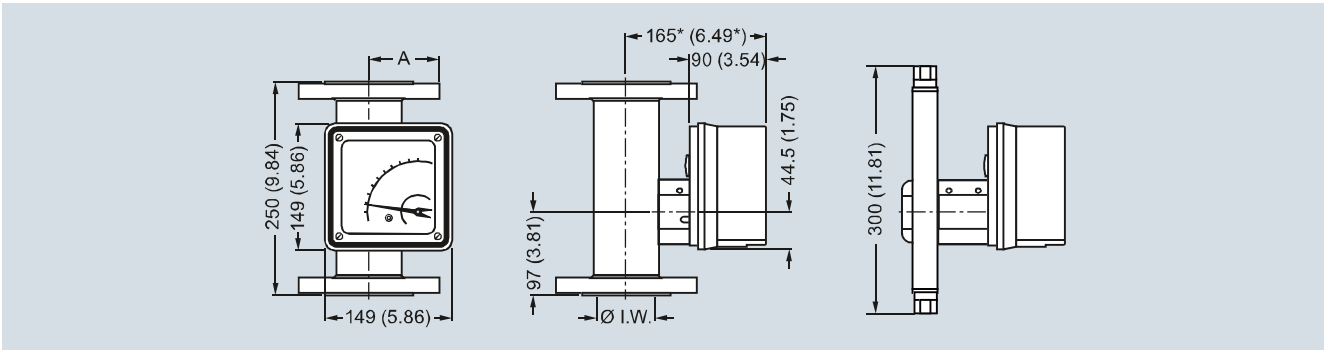
¹⁾ Not available for EF-H and FF-P.

²⁾ Not available for FF-P.

Note: Female thread connection (DIN ISO 228, NPT ANSI B 1.20.1) not available for FF-P.

SITRANS FVA250 variable area meter

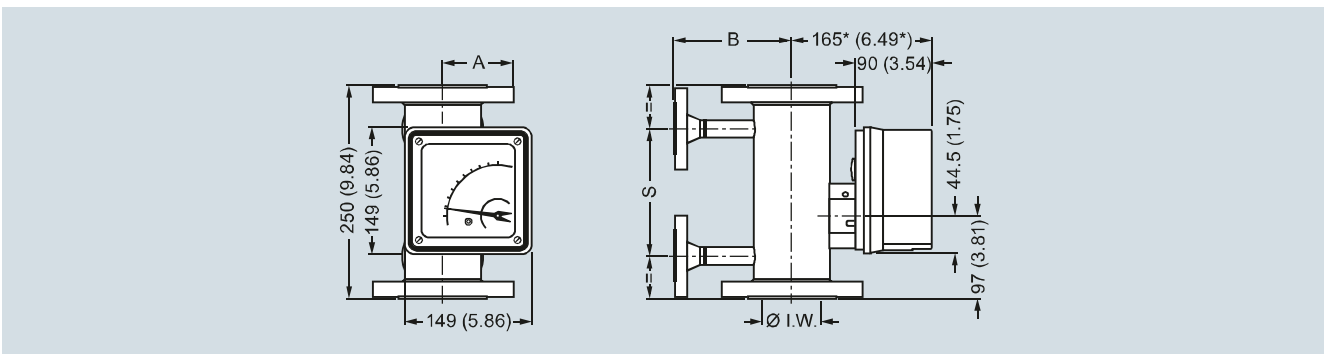
Dimensional drawings



EN 1092-1		ANSI B16.5		I. W.		A		Weight	
				mm	inch	mm	inch	kg	lb
DN 15	PN 40	½"	class 150	26	1.02	74	2.91	3.0	6.6
DN 20	PN 40	¾"	class 150	26	1.02	74	2.91	3.0	6.6
DN 25	PN 40	1"	class 150	32	1.26	77	3.03	4.2	9.3
DN 32	PN 40	1¼"	class 150	32	1.26	77	3.03	5.2	11.5
DN 40	PN 40	1½"	class 150	46	1.81	88	3.46	6.0	13.2
DN 50	PN 40	2"	class 150	70	2.76	97	3.82	7.5	16.5
DN 65	PN 16	2½"	class 150	70	2.76	97	3.82	8.5	18.7
DN 80	PN 16	3"	class 150	102	4.02	113	4.45	13	28.7
DN 100	PN 16	4"	class 150	125	4.92	126	4.96	18	39.7

* +100 mm (3.94 inch) with displaced display unit

SITRANS FVA250, enclosure of display unit made of aluminum, dimensions in mm (inch)



Nominal diameter		B (flange)		B (Ermeto)		S		Weight	
		mm	inch	mm	inch	mm	inch	kg	lb
DN 15	½"	110	4.33	53	2.09	150	5.91	3.0	6.6
DN 20	¾"	110	4.33	53	2.09	150	5.91	3.0	6.6
DN 25	1"	110	4.33	58.5	2.3	150	5.91	4.2	9.3
DN 32	1¼"	110	4.33	58.5	2.3	150	5.91	5.2	11.5
DN 40	1½"	130	5.12	63	2.48	150	5.91	6.0	13.2
DN 50	2"	140	5.51	77.5	3.05	150	5.91	7.5	16.5
DN 65	2½"	140	5.51	77.5	3.05	150	5.91	8.5	18.7
DN 80	3"	160	6.3	93.5	3.68	150	5.91	13	28.7
DN 100	4"	175	6.89	110	4.33	120	4.72	18	39.7

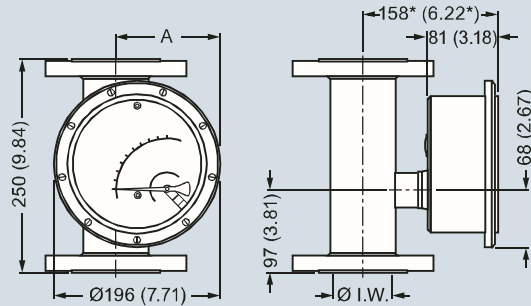
* +100 mm (3.94 inch) with displaced display unit

SITRANS FVA250, enclosure of display unit made of aluminum with heating connection, dimensions in mm (inch)

Flow Measurement

SITRANS F VA

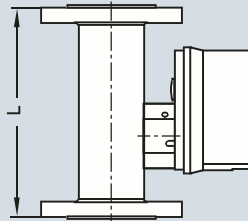
SITRANS FVA250 variable area meter



EN 1092-1		ANSI B16.5		I. W.		A		Gewicht	
				mm	inch	mm	inch	kg	lb
DN 15	PN 40	½"	class 150	26	1.02	103	4.06	3.0	6.6
DN 20	PN 40	¾"	class 150	26	1.02	103	4.06	3.0	6.6
DN 25	PN 40	1"	class 150	32	1.26	105	4.13	4.2	9.3
DN 32	PN 40	1¼"	class 150	32	1.26	105	4.13	5.2	11.5
DN 40	PN 40	1½"	class 150	46	1.81	115	4.53	6.0	13.2
DN 50	PN 40	2"	class 150	70	2.76	129	5.08	7.5	16.5
DN 65	PN 16	2½"	class 150	70	2.76	129	5.08	8.5	18.7
DN 80	PN 16	3"	class 150	102	4.02	145	5.71	13	28.7
DN 100	PN 16	4"	class 150	125	4.92	158	6.22	18	39.7

* +100 mm (3.94 inch) with displaced display unit

SITRANS FVA250, enclosure of display unit made of stainless steel, dimensions in mm (inch)



Nominal diameter	EN 1092-1				Nominal diameter	ANSI B16.5		
	PN 16	PN 40	PN63	PN100		class 150	class 300	class 600
DN 15	-	250 (9.84)	-	250 (9.84)	½"	250 (9.84)	250 (9.84)	250 (9.84)
DN 20	-	250 (9.84)	-	250 (9.84)	¾"	250 (9.84)	250 (9.84)	250 (9.84)
DN 25	-	250 (9.84)	-	250 (9.84)	1"	250 (9.84)	250 (9.84)	250 (9.84)
DN 32	-	250 (9.84)	-	250 (9.84)	1¼"	250 (9.84)	250 (9.84)	250 (9.84)
DN 40	-	250 (9.84)	-	250 (9.84)	1½"	250 (9.84)	250 (9.84)	250 (9.84)
DN 50	-	250 (9.84)	250 (9.84)	300 (11.81)	2"	250 (9.84)	250 (9.84)	300 (11.81)
DN 65	250 (9.84)	250 (9.84)	300 (11.81)	300 (11.81)	2½"	250 (9.84)	300 (11.81)	300 (11.81)
DN 80	250 (9.84)	250 (9.84)	300 (11.81)	300 (11.81)	3"	250 (9.84)	300 (11.81)	300 (11.81)
DN 100	250 (9.84)	250 (9.84)	300 (11.81)	300 (11.81)	4"	250 (9.84)	300 (11.81)	300 (11.81)

- not available

Build-in length of fitting in dependence of nominal diameter and pressure rating, dimensions mm (inch)

Flow Measurement SITRANS F VA

SITRANS FVA250 variable area meter

Selection and ordering data		Article No.	Order code
SITRANS FVA250 Full metal variable area meter		7 ME 5 8 6	- - - - -
Flow tube			
<u>Liquid</u>	<u>Gas</u>		
5 ... 40 l/h	0.15 ... 1.3 m ³ /h		1
50 ... 600 l/h	1.5 ... 17 m ³ /h		2
1 000 ... 4 000 l/h	30 ... 110 m ³ /h		3
2.5 ... 4 m ³ /h	70 ... 170 m ³ /h		4
4 ... 25 m ³ /h	30 ... 700 m ³ /h		5
16 ... 50 m ³ /h	460 ... 1 350 m ³ /h		6
63 ... 100 m ³ /h	1 700 ... 3 000 m ³ /h		7
Design			
<u>Type: CF-S (standard)</u>			2
Fitting: Stainless steel 1.4404/316L, Flange: Stainless steel 1.4404/316L Float: Stainless steel 1.4404/316L			
<u>Type: FF-H</u>			4
Fitting: Stainless steel 1.4404/316L, Flange: Stainless steel 1.4404/316L with Hastelloy lining Float: Hastelloy			
<u>Type: FF-P</u>			5
Fitting: Stainless steel 1.4404/316L, Flange: Stainless steel 1.4404/316L with PTFE lining Float: PTFE			
Nominal diameter			
DN 15/ANSI ½"			A
DN 20/ANSI ¾"			B
DN 25/ANSI 1"			C
DN 32/ANSI 1¼"			D
DN 40/ANSI 1½"			E
DN 50/ANSI 2"			F
DN 65/ANSI 2½"			G
DN 80/ANSI 3"			H
DN 100/ANSI 4"			J
Female thread ¼"			Q
Female thread 3/8"			R
Female thread ½"			S
Female thread ¾"			T
Female thread 1"			U
Female thread 1¼"			V
Female thread 1½"			W
Female thread 2"			X
Flange/thread standard - pressure rate			
EN 1092-1, PN 16, Form B1			B
EN 1092-1, PN 40, Form B1			D
EN 1092-1, PN 63, Form B2			E
EN 1092-1, PN 100, Form B2			F
ANSI B16.5, class 150 RF			J
ANSI B16.5, class 300 RF			K
ANSI B16.5, class 600 RF			L
Female thread G DIN ISO 228			T
Female thread NPT ANSI B1.20.1			N

3

Flow Measurement

SITRANS F VA

SITRANS FVA250 variable area meter

3

Selection and ordering data				Article No.	Order code
SITRANS FVA250 Full metal variable area meter				7ME586	- - - - -
Measuring ranges					
<u>Liquids</u>		<u>Gases</u>			
l/h	(USgpm)	m ³ /h	(scfm)		
0.5 ... 5	(0.0022 ... 0.022)	0.015 ... 0.15	(0.0088 ... 0.088)		1 0
0 ... 10	(0.0044 ... 0.044)	0.03 ... 0.3	(0.0177 ... 0.177)		1 1
1.6 ... 16	(0.007 ... 0.07)	0.045 ... 0.45	(0.0265 ... 0.283)		1 2
2.5 ... 25	(0.011 ... 0.11)	0.075 ... 0.75	(0.0441 ... 0.441)		1 3
4 ... 40	(0.018 ... 0.18)	0.13 ... 1.3	(0.0765 ... 0.765)		1 4
5 ... 50	(0.022 ... 0.22)	0.15 ... 1.5	(0.0883 ... 0.883)		1 5
7 ... 70	(0.031 ... 0.31)	0.2 ... 2	(0.12 ... 1.24)		1 6
10 ... 100	(0.044 ... 0.44)	0.3 ... 3	(0.177 ... 1.77)		1 7
16 ... 160	(0.07 ... 0.7)	0.5 ... 5	(0.29 ... 2.71)		2 0
25 ... 250	(0.11 ... 1.1)	0.7 ... 7	(0.412 ... 4.12)		2 1
40 ... 400	(0.176 ... 1.76)	1.0 ... 11	(0.589 ... 6.47)		2 2
60 ... 600	(0.264 ... 2.64)	1.7 ... 17	(1 ... 10)		2 3
100 ... 1 000	(0.44 ... 4.4)	2 ... 30	(1.77 ... 17.66)		2 4
160 ... 1 600	(0.7 ... 7)	3 ... 46	(2.35 ... 27.07)		2 5
250 ... 2 500	(1.1 ... 11)	6 ... 70	(4.12 ... 41.2)		2 6
400 ... 4 000	(1.76 ... 17.6)	10 ... 110	(6.47 ... 64.74)		2 7
600 ... 6 000	(2.64 ... 26.4)	16 ... 170	(10 ... 100)		3 0
1 000 ... 10 000	(4.4 ... 44)	28 ... 290	(17.1 ... 170.7)		3 1
1 600 ... 16 000	(7 ... 70)	45 ... 460	(27.1 ... 270.7)		3 2
2 000 ... 20 000	(8.8 ... 88)	55 ... 550	(32.4 ... 323.7)		3 3
2 500 ... 25 000	(11 ... 110)	69 ... 700	(41.2 ... 412)		3 4
4 000 ... 40 000	(17.6 ... 176)	109 ... 1 100	(64.7 ... 647.4)		3 5
5 000 ... 50 000	(22 ... 220)	134 ... 1 350	(79.5 ... 794.6)		3 6
6 000 ... 60 000	(26.4 ... 264)	169 ... 1 700	(100 ... 1 000)		3 7
8 000 ... 80 000	(35.2 ... 352)	239 ... 2 400	(141.3 ... 1 413)		4 0
10 000 ... 100 000	(44 ... 440)	299 ... 3 000	(176.6 ... 1 766)		4 1
Display unit / process temperature					
Standard (aluminum) - up to 200 °C with local display/150 °C with electrical output					0
Standard (aluminum) - with displaced display					1
Stainless steel IP66 - up to 150 °C with local display					2
Stainless steel IP66 - with displaced display					3
Heating/cooling sheath					
Without (standard)					A
With flange connection EN1092-1 DN 15 PN 40					B
With flange connection ½ " ANSI B16.5 Class 150 RF					C
Display/outputs					
With display					A
With display, 1 inductive contact (limit switch) SJ 3.5N					B
With display, 2 inductive contacts (limit switches) SJ 3.5N					C
With display, HART and 4 to 20 mA					D
With display, HART, 4 to 20 mA, 2 inductive contacts SJ 3.5N					E
With display, HART, 4 to 20 mA, 1 inductive contact, 1 pulse output					F
With display, PROFIBUS PA					G
Calibration					
Standard calibration					0
• Without calibration certificate					1
• With calibration certificate					

Selection and ordering data	Order code
Other types of liquid and gas measurement	
Please add "-Z" to Article No. and specify Order code.	
Marking of name plate	
Name plate in English	B11
Certificates	
Certificate of compliance EN 10204-2.1	C10
Factory inspection certificate EN 10204-2.2	C11
Acceptance test certificate 3.1 according to EN 10204	C12
Dye penetration test on pressure bearing weldings	C13
X-ray test of pressure bearing weldings	C14
Pressure test with acceptance test certificate 3.1 according to EN 10204	C15
PMI (positive material identification) test of pressure bearing metal parts	C16
Float damping	
With float damping	D01
Specification of medium process data (specify in plain text)	
Specification always required for each order:	
Medium	Y01
Operating pressure	
Operating temperature	
Density (when the medium unknown)	
Viscosity (when medium unknown)	
Measuring range	
TAG plate	
TAG plate in stainless steel (add plain text)	Y17
Cleaning to company standard	
Cleaning Class 2, with identification free of oil and grease	K46
Cleaning Class 1, with identification free of oil, grease and silicon	K48
Approvals	
With ATEX approval	M51
Special version (specify in plain text)	
	Y99
Note:	
For possible combinations of nominal diameters and flow tube, see table on page 3/404	